

Commander³ Series Emergency Notification Evacuation Signals

Applications

The Commander³ Series Emergency Notification Evacuation Signals is a wall mount, low profile strobe or horn/strobe combination that offers dependable audible and visual alarms for warning and emergency notification. Applications include severe weather, evacuation, emergency response and many more.

The GE3 Emergency Notification Series are 24VDC units available in lens colors of Amber, Blue, Green and Red. The Series offers tamperproof field selectable candela options of 15, 30, 60, 75, and 110 candela.

The Commander³ Emergency Notification Evacuation Series has a minimal operation current and has a minimum flash rate of 1Hz regardless of input voltage.

The Commander³ Emergency Notification Series is shipped with a die cast 4" mounting bracket which incorporates the popular *Super-Slide™* feature that allows the installer to easily pre-wire the system and test for supervision. The product also features a locking mechanism that secures the product to the bracket without showing any screws.

The Emergency Notification Series also features the *Checkmate™* - Instant Voltage Verification Feature which allows the installer to check the voltage drop, current draw and match it against the blue print.

The Commander³ Emergency Notification Evacuation Series are UL1638 and UL464, listed and are warranted for three years from date of purchase.

Standard Features

- Nominal Voltage - 24 VDC
- Tamperproof Field Selectable Candela Options of 15, 30, 60, 75, and 110
- **Unit Dimensions:** 5" high x 4.5" wide x 2.5" deep
- Super-Slide™ Bracket - Ease of Supervision Testing
- Checkmate™ - Instant Voltage Verification
- Synchronize Strobe and Horn by Using the Gentex Synchronization Module
- Prewire Entire System, Then Install Your Signals
- Input Terminals 12 to 18 AWG
- Switch Selection for High or Low dBA
- Switch for Chime, Whoop, Mechanical and 2400Hz Tone
- Switch for Continuous or Temporal 3 (not available on whoop tone)
- Tamperproof Re-entrant Grill
- Surface Mount with the GSB (Gentex Surface Mount Box)
- Silence Horn While Strobes Remain Flashing
- Wide Voltage Range 16-33 VDC or FWR
- Faceplate Available in Red or Off-White

GEC3/GES3 Colored Lens S E R I E S



Lens available in Blue, Red, Amber and Green Colors

Product Listings



This symbol on the product's nameplate means it is Listed by UNDERWRITERS LABORATORIES, INC.

- BS+A/MEA (Pending)
- CSFM 7135-0569:135 (GECA24, GECB24, GECG24 & GEGR24)
7135-0569:136 (GESA24, GESB24, GECG24 & GEGR24)
- UL Listed 464, 1638



GES3 Emergency Notification Evacuation Strobe, Selectable Candela Low Profile

Model Number	Part Number	Lens Color	Nominal Voltage	Candela
GESA24PWR	904-1335-002	Amber	24 VDC	15, 30, 60, 75, 110
GESA24PWW	904-1336-002	Amber	24VDC	15, 30, 60, 75, 110
GESB24PWR	904-1337-002	Blue	24VDC	15, 30, 60, 75, 110
GESB24PWW	904-1338-002	Blue	24VDC	15, 30, 60, 75, 110
GESG24PWR	904-1339-002	Green	24VDC	15, 30, 60, 75, 110
GESG24PWW	904-1340-002	Green	24VDC	15, 30, 60, 75, 110
GESR24PWR	904-1341-002	Red	24VDC	15, 30, 60, 75, 110
GESR24PWW	904-1342-002	Red	24 VDC	15, 30, 60, 75, 110

GEC3 Emergency Notification Evacuation Horn/Strobe, Selectable Candela Low Profile

Model Number	Part Number	Lens Color	Nominal Voltage	Candela	Reverberant dBA @ 10ft. Per UL 464 ¹	In Anechoic Room dBA @ 10ft.
GECA24PWR	904-1327-002	Amber	24 VDC	15, 30, 60, 75, 110	62-82	100
GECA24PWW	904-1328-002	Amber	24 VDC	15, 30, 60, 75, 110	62-82	100
GECB24PWR	904-1329-002	Blue	24 VDC	15, 30, 60, 75, 110	62-82	100
GECB24PWW	904-1330-002	Blue	24 VDC	15, 30, 60, 75, 110	62-82	100
GECG24PWR	904-1331-002	Green	24 VDC	15, 30, 60, 75, 110	62-82	100
GECG24PWW	904-1332-002	Green	24 VDC	15, 30, 60, 75, 110	62-82	100
GECR24PWR	904-1333-002	Red	24 VDC	15, 30, 60, 75, 110	62-82	100
GECR24PWW	904-1334-002	Red	24 VDC	15, 30, 60, 75, 110	62-82	100

Notes:

- The GE3 Emergency Notification Evacuation Series is not listed for outdoor use.
- Operating temperature: 32°to 120°F (0° to 49° C).
- For nominal and peak current across UL regulated voltage range for filtered DC power and unfiltered (FWR [Full Wave Rectified]) power, see installation manual.
- **Gentex does not recommend using a coded or pulsing signaling circuit with any of our strobe products (see Technical Bulletin Number 014).**

Model designations:

“P” = Plain (no lettering), “W” = Wall Mount, “R” = Red Faceplate/“W” = Off-White Faceplate

Lens Colors: “B” = Blue “R” = Red “A” = Amber “G” = Green

Emergency Notification Evacuation Strobe Current Ratings					
Candela	15cd	30cd	60cd	75cd	110cd
24 VDC	74mA	88mA	134mA	156mA	199mA
UL Max ²	113mA	134mA	212mA	253mA	346mA

Horn Mode	Minimum dBA @ 10ft. per UL464 (HIGH)	Minimum dBA @ 10ft. per UL464 (LOW)	Regulated 24VDC Max. Operating @ High Setting (mA)
Temporal 3 2400Hz	78	71*	28
Temporal 3 Mechanical	76	70*	25
Temporal 3 Chime	70*	66*	15
Continuous 2400Hz	81	74*	28
Continuous Mechanical	80	72*	25
Continuous Chime	70*	66*	15
Whoop	82	69*	56

*Operating the horn in this mode at this voltage will result in not meeting the minimum UL reverberant sound level required for public mode fire protection service. These settings are acceptable only for private mode fire alarm use. Use the high dBA setting for public mode application (not applicable when using the chime tone. The chime tone is always private mode).

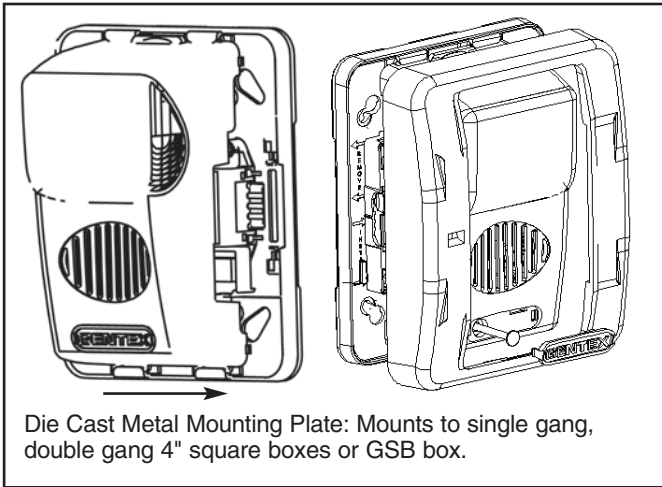
Notes: The sound output for the temporal 3 tone is rated lower since the time the horn is off is averaged into the sound output rating. While the horn is producing a tone in the temporal 3 mode its sound pressure is the same as the continuous mode.

To obtain the horn/strobe current draw, add the strobe current draw and the horn current draw.

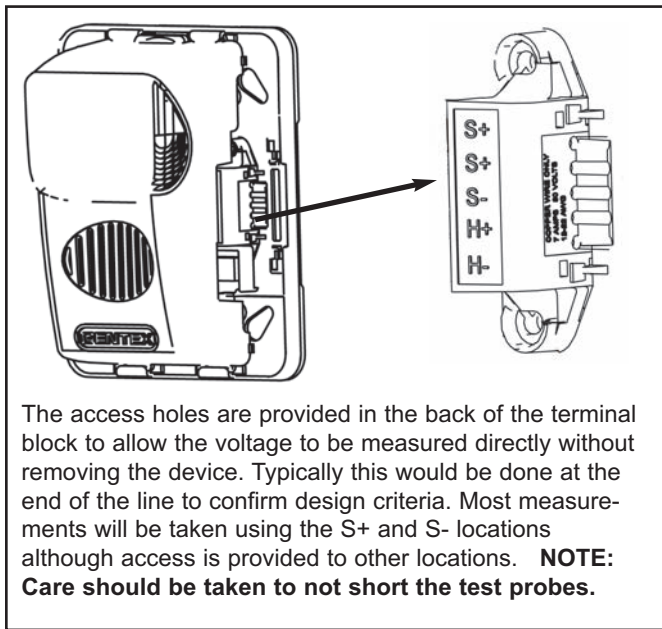
¹ The listed reverberant dBA are for the continuous tone mode. The Temporal 3 tone has a reverberant dBA @ 10ft. per UL 464 is 77-83. with a horn current draw of 34mA.

² RMS current ratings are per UL average RMS method. UL max current rating is the maximum RMS current within the listed voltage range (16-33VDC for 24VDC units) (8-17VDC for 12VDC units). For strobes the UL max current is usually at the minimum listed voltage (16VDC for 24VDC units) (8VDC for 12VDC units). For audibles the max current is usually at the maximum listed voltage. For unfiltered FWR ratings, see installation manual.

Mounting Super-Slide™



Checkmate™ - Instant Voltage Verification

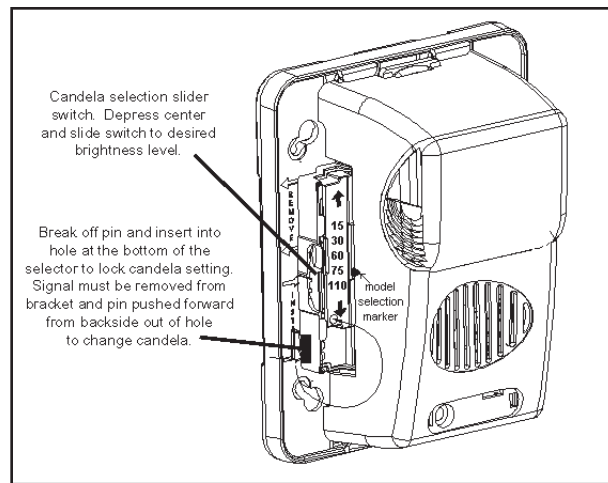


Switch Locations

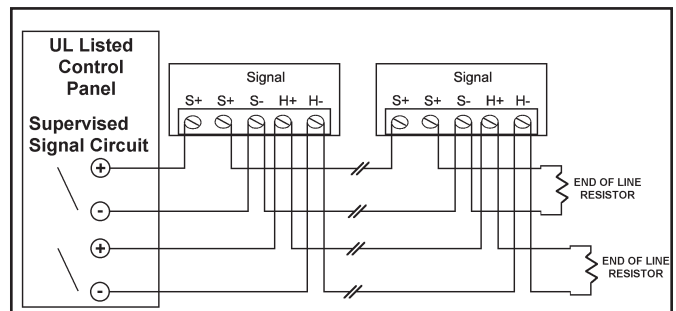
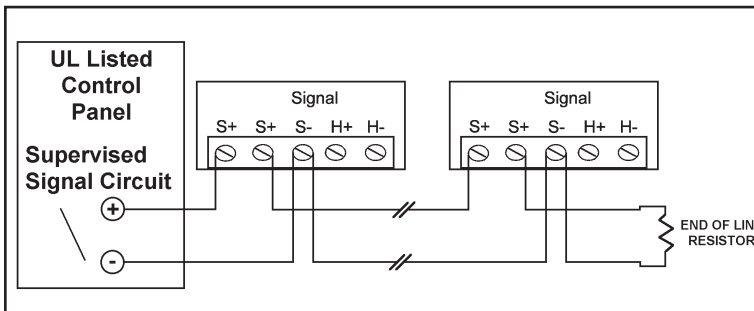
	SWITCH POSITION		
	3	4	5
Mechanical-Temp.	ON	ON	ON
Mechanical-Cont.	OFF	ON	ON
Hi-Temp.	ON	OFF	ON
Hi-Cont.	OFF	OFF	ON
Chime-Temp.	ON	ON	OFF
Chime-Cont.	OFF	ON	OFF
Whoop	ON	OFF	OFF
Whoop	OFF	OFF	OFF

Switch positions 1 and 2 in the off position to select isolated horn and strobe power inputs.

Candela Selection

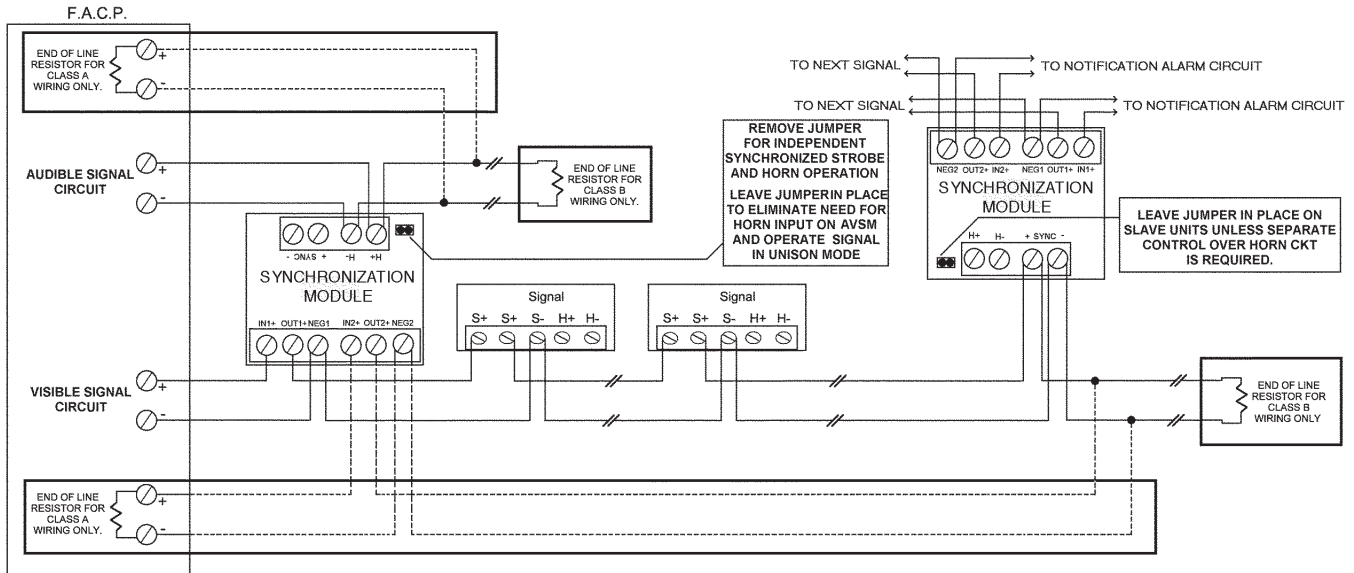


Conventional Wiring Diagrams for Emergency Notification Evacuation Series



GEC3/GES3 Colored Lens S E R I E S

Wiring Diagram Emergency Notification Series with Gentex Synchronization Module



Note: See Technical Bulletin 015 for proper synchronization module for application.

Architect & Engineering Specifications:

The audible and/or visible signal shall be Gentex GE3 Emergency Notification Evacuation Series or approved equal and shall be listed by Underwriters Laboratories Inc. per UL 1638 and UL 464. The notification appliance shall also be listed with the California State Fire Marshal (CSFM) and the Bureau of Standards and Appeals (NYC).

The notification appliance (combination audible/visible) shall produce a peak sound output of 100dBA or greater as measured in an anechoic chamber. The signaling appliance shall also have the capability to silence the audible signal while leaving the visible signal energized with the use of a single pair of power wires. Additionally, the user shall be able to select either continuous or temporal tone output with the temporal signal having the ability to be synchronized.

Unit shall be capable of being installed so that any unauthorized attempt to change the candela setting will result in a trouble signal at the fire alarm control panel.

The audible/visible and visible signaling appliance shall also maintain a minimum flash rate of 1Hz or up to 2 Hz regardless of power input voltage. The appliance shall have an operating current of 74mA or less at 24 VDC for the 15Cd strobe circuit.

The appliance shall be polarized to allow for electrical supervision of the system wiring. The unit shall be provided with a mounting bracket with terminals with barriers for input/output wiring and be able to mount to a single gang or double gang box or double workbox without the use of an adapter plate. The unit shall have an input voltage range of 16-33 volts with either direct current or full wave rectified power for 24 volt models.

The appliance shall be capable of testing supervision without disconnecting wires. Also the appliance shall be capable of mounting to a surface back box. The unit shall also be able to verify voltage at the unit without removing unit.

24 units per carton
28 pounds per carton

GENTEX
CORPORATION

Fire Protection Products: www.gentex.com
10985 Chicago Drive Box 310 • Zeeland, Michigan 49464
616.392.7195 • 1.800.436.8391 • 616.392.4219 Fax

Gentex corporation reserves the right to make changes to the product data sheets at their discretion.

Important Notice:

These materials have been prepared by Gentex Corporation ("Gentex") for informational purposes only, are necessarily summary, and are not purporting to serve as legal advice and should not be used as such. Gentex makes no representations and warranties, express or implied, that these materials are complete and accurate, up-to-date, or in compliance with all relevant local, state and federal laws, regulations and rules. The materials do not address all legal considerations as there is inevitable uncertainty regarding interpretation of laws, regulations and rules and the application of such laws, regulations and rules to particular fact patterns. Each person's activities can differently affect the obligations that exist under applicable laws, regulations or rules. Therefore, these materials should be used only for informational purposes and should not be used as a substitute for seeking professional legal advice. Gentex will not be responsible for any action or failure to act in reliance upon the information contained in this material.

551-0045-01

Printed on Recycled Paper