

## Commander Series Low Current Strobe and Horn Strobe

### Applications

The Commander Series is a low profile strobe or horn/strobe combination that offers dependable audible and visual alarms and the lowest current available.

The Commander Series is a room alert notification appliance; applications include hallways, rooms, sleeping rooms, restrooms or any high ambient-noise level area.

The ST/HS Series is offered in fixed candela options of 15, 30, 60, 75, 110 and 15/75.

The HS models are easily field changeable from temporal 3 to a continuous tone by simply removing a jumper plug. The HS models are shipped from the factory in the temporal three mode.

The Commander Series comes standard with the 4" mounting plate.

The Commander Series has a minimal operating current and has a minimum flash rate of 1Hz regardless of input voltage.

The ST/HS Series are UL 464, UL 1971 and UL 1638 listed for use with fire protective systems and are warranted for three years from date of purchase.

### Standard Features

- Nominal Voltage 24 VDC
- Fixed Candela Options of 15, 30, 60, 75, 110 and 15/75
- **Unit Dimensions:** 5.6" high x 4.5" wide x 3.4" overall depth (backplate 1.3" deep)
- Tamperproof Re-Entrant Grill
- Separate Horn and Strobe Capabilities
- Wide Voltage Range - 16-33VDC or FWR
- Input Terminals 12 to 18 AWG
- Field Selectable Temporal 3 or Continuous Tone
- Horn Piezo Frequency 3100Hz (nominal)
- Synchronize Strobe and/or Horn by Using the Gentex Synchronization Control Module (Must Use AVS44)
- Silence Horn While Strobes Remain Flashing
- Field Selectable 2 or 4 Wire Operation — Shipped from the Factory as 2 Wire
- Faceplate available in Red or Off-White

## ST/HS

## SERIES



### Product Listings



This symbol on the product's nameplate means it is Listed by UNDERWRITERS LABORATORIES, INC.

- BFP (City of Chicago)
- BS+A/MEA #285-91-E
- CSFM 7135-0569:122 (HS)  
7125-0569:123 (ST)
- FM Approved
- UL 464, UL 1971, UL 1638 Listed
- CAN/ULC S526-M87/S524-01

### Product Compliance

- Americans with Disabilities Act (ADA 4.28.3)
- NFPA 72



## ST24 VDC Low Profile Remote Strobe

Model Number	Part Number	Candela (UL 1971)
ST24-15WR	904-1033-002	15
ST24-15WW	904-1053-002	15
ST24-30WR	904-1037-002	30
ST24-30WW	904-1057-002	30
ST24-60WR	904-1041-002	60
ST24-60WW	904-1061-002	60
ST24-75WR	904-1043-002	75
ST24-75WW	904-1063-002	75
ST24-110WR	904-1047-002	110
ST24-110WW	904-1067-002	110
ST24-1575WR	904-1035-002	15 (UL 1971) / 75 (UL 1638)
ST24-1575WW	904-1055-002	15 (UL 1971) / 75 (UL 1638)

## HS24 VDC Low Profile Remote Horn/Strobe

Model Number	Part Number	Candela (UL1971)	Reverberant dBA @ 10ft. Per UL464 <sup>1</sup>	In Anechoic Room dBA @ 10Ft.
HS24-15WR	904-0993-002	15	83-87	92
HS24-15WW	904-1013-002	15	83-87	92
HS24-30WR	904-0997-002	30	83-87	92
HS24-30WW	904-1017-002	30	83-87	92
HS24-60WR	904-1001-002	60	83-87	92
HS24-60WW	904-1021-002	60	83-87	92
HS24-75WR	904-1003-002	75	83-87	92
HS24-75WW	904-1023-002	75	83-87	92
HS24-110WR	904-1007-002	110	83-87	92
HS24-110WW	904-1027-002	110	83-87	92
HS24-15/75WR	904-0995-002	15 (UL 1971) / 75 (UL 1638)	83-87	92
HS24-15/75WW	904-1015-002	15 (UL 1971) / 75 (UL 1638)	83-87	92

### Notes:

- The ST/HS Series is not listed for outdoor use. • Operating temperature: 32°to 120°F (0° to 49° C)
- For nominal and peak current across UL regulated voltage range for filtered DC power and unfiltered (FWR [Full Wave Rectified]) power, see installation manual.
- **Gentex does not recommend using a coded or pulsing signaling circuit with any of our strobe products (see Technical Bulletin 014 for more information).**

### Model designations:

"W" = Wall Mount

"R" = Red Faceplate

"W" = Off-White Faceplate

"P" = Plain (no lettering) Available with all models. These units are non-returnable.

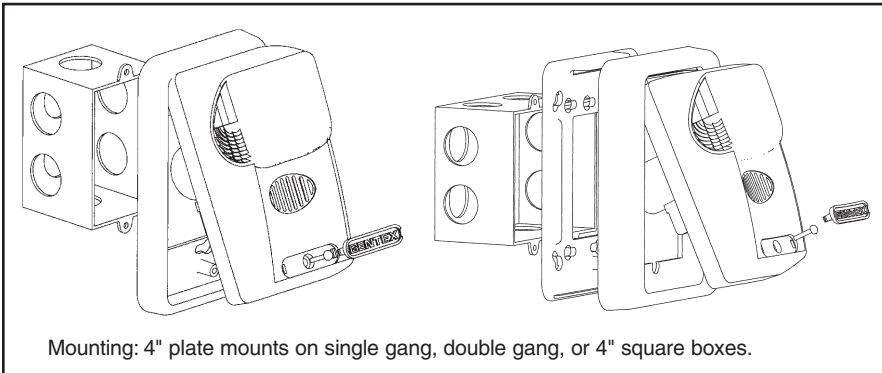
ST/HS Product Strobe Current Draw					
Candela	15cd	30cd & 15/75cd	60cd	75cd	110cd
24 VDC	42mA	66mA	84mA	100mA	118mA
UL Max <sup>2</sup>	61mA	92mA	134mA	158mA	195mA

HS Product Horn Current Draw	
24 VDC	26mA
UL Max <sup>2</sup>	34mA

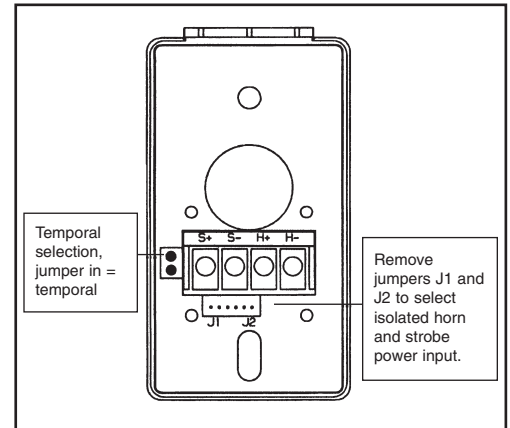
<sup>1</sup> The listed horn current draws are for the Continuous Tone mode. The Temporal 3 Tone has a reverberant dBA @ 10ft. per UL 464 is 77-83 with a horn current draw of 26mA (UL Max<sup>2</sup> 34mA).

<sup>2</sup> RMS current ratings are per UL average RMS method. UL max current rating is the maximum RMS current within the listed voltage range (16-33VDC for 24VDC units) (8-17VDC for 12VDC units). For strobes the UL max current is usually at the minimum listed voltage (16VDC for 24VDC units) (8VDC for 12VDC units). For audibles the max current is usually at the maximum listed voltage. For unfiltered FWR ratings, see installation manual.

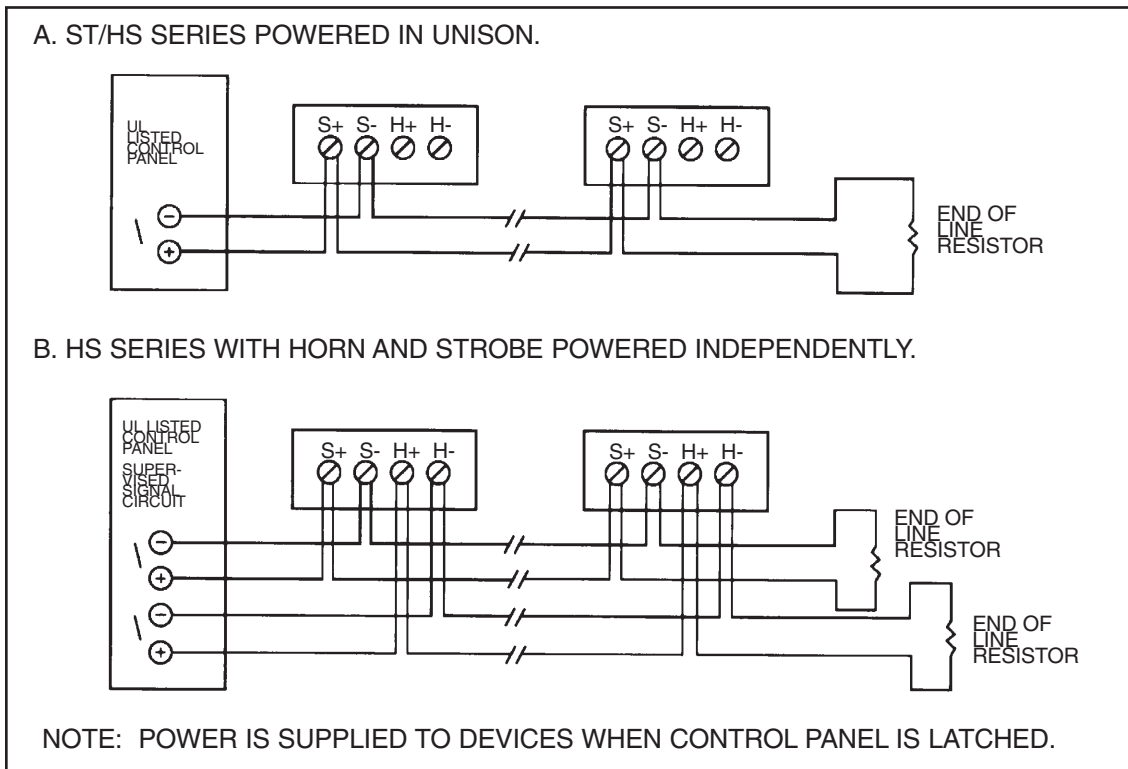
## Mounting



## Jumper Locations

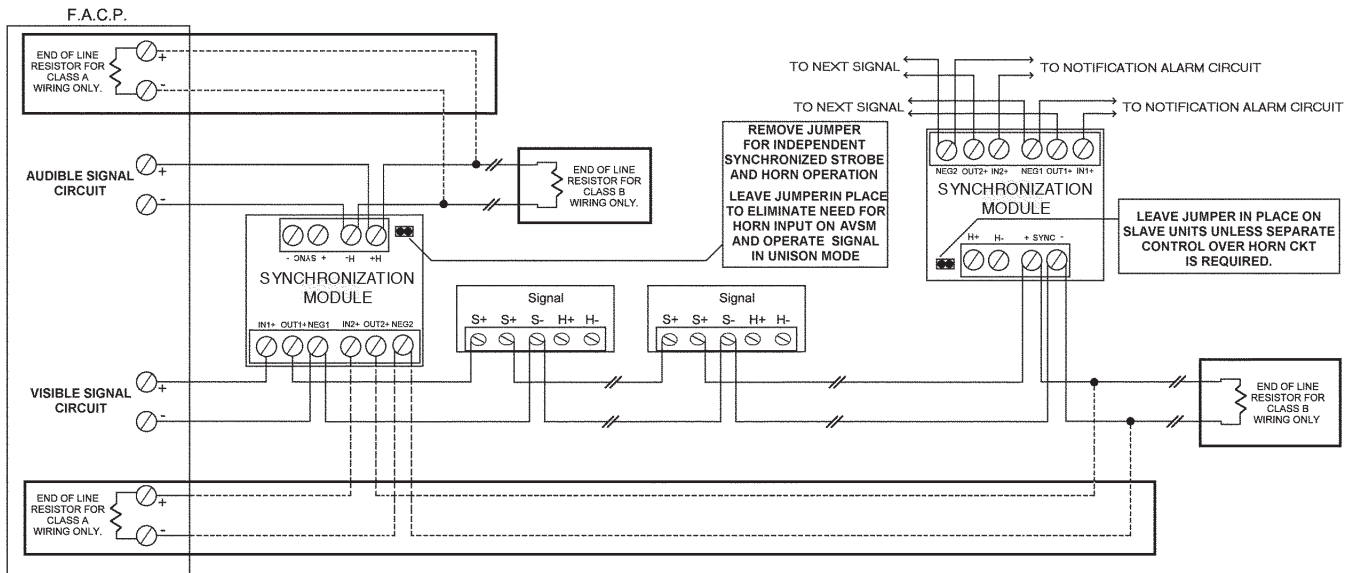


## Wiring Diagram ST/HS Series



# ST/HS SERIES

## Wiring Diagram ST/HS Series with Gentex Synchronization Module



**Note:** See Technical Bulletin 015 for proper synchronization module for application.

**Note:** When synchronizing the ST/HS Series, the AVS44 synchronization module **MUST** be used.

### Architect & Engineering Specifications

The visible and audible/visible signal shall be Gentex ST/HS Series or approved equal and shall be listed by Underwriters Laboratories Inc. per UL 464, UL 1971 and/or UL 1638 for the ST and also UL 464 for the HS. The notification appliance shall also be listed with the California State Fire Marshal (CSFM) and the Bureau of Standards and Appeals (NYC).

The notification appliance (combination audible/visible units only) shall produce a peak sound output of 92dBA or greater as measured in an anechoic chamber. The signaling appliance shall also have the capability to silence the audible signal while leaving the visible signal energized with the use of a single pair of power wires. Additionally, the user shall be able to select either continuous or temporal tone output with the temporal signal having the ability to be synchronized.

The audible/visible and visible signaling appliance shall also maintain a minimum flash rate of 1Hz or up to 2Hz regardless of power input voltage. The appliance shall also be capable of meeting the candela requirements of the ADA (75Cd) for the combination listed (UL 1971/UL 1638) listed models. The appliance shall have an operating current of 66mA or less at 24 VDC for the 15/75 Candela appliance.

The appliance shall be polarized to allow for electrical supervision of the system wiring. The unit shall be provided with terminals with barriers for input/output wiring and be able to mount to a single gang or double gang box or double workbox with the use of an adapter plate. The unit shall have an input voltage range of 16-33 volts with either direct current or full wave rectified power.

24 units per carton  
18 pounds per carton

**GENTEX  
CORPORATION**

Fire Protection Products: [www.gentex.com](http://www.gentex.com)  
10985 Chicago Drive Box 310 • Zeeland, Michigan 49464  
616.392.7195 • 1.800.436.8391 • 616.392.4219 Fax

Gentex corporation reserves the right to make changes to the product data sheets at their discretion.

#### Important Notice:

These materials have been prepared by Gentex Corporation ("Gentex") for informational purposes only, are necessarily summary, and are not purporting to serve as legal advice and should not be used as such. Gentex makes no representations and warranties, express or implied, that these materials are complete and accurate, up-to-date, or in compliance with all relevant local, state and federal laws, regulations and rules. The materials do not address all legal considerations as there is inevitable uncertainty regarding interpretation of laws, regulations and rules and the application of such laws, regulations and rules to particular fact patterns. Each person's activities can differently affect the obligations that exist under applicable laws, regulations or rules. Therefore, these materials should be used only for informational purposes and should not be used as a substitute for seeking professional legal advice. Gentex will not be responsible for any action or failure to act in reliance upon the information contained in this material.

551-0048-01

Printed on Recycled Paper