

# GENTEX CORPORATION ST AND HS SERIES UL 1971 COMPLIANT CAN/ULC S526-M87 Compliant VISIBLE AND AUDIBLE/VISIBLE SIGNALING APPLIANCES

## I. INTRODUCTION

The Gentex Model ST/HS, strobe and horn/strobe, is a high quality visible (ST) or audible/visible (HS) signaling appliance. The high intensity strobe utilizes a Xenon flash tube that generates a high-intensity flash visible from all angles. This appliance is intended to provide a visible or audible/visible, depending on the model, notification signal for the purpose of life safety and property protection. This appliance is ideal for hotels, apartments, hospitals, rest homes or wherever dependable alarms are required. The strobe is listed in compliance with UL 1971, Signaling Appliances for the Hearing Impaired and CAN/ULC S526-M87 Visible Signal Devices for Fire Alarm Systems (15/75 Cd model is additionally listed in compliance with UL 1638).

## II. LOCATION

This appliance is intended for use in Fire Alarm Systems and is to be installed in accordance with this manual, the recommendation of the local authorities having jurisdiction, and other NFPA documents that provide standards on notification appliances for protective signaling systems. The ST/HS is intended for indoor installations only. This appliance is not weatherproof for outdoor or drip proof applications. Wall mounted strobe and horn/strobe appliances shall have their entire lens at heights above the finished floor of not less than 80 in. (2m) and not greater than 96 in. (2.4m)\*\*. Spacing shall be in accordance with Table A. If a room configuration is not square, the room size that will entirely encompass the room or subdivide the room into multiple squares shall be used. Wall mounted horn only appliances shall have their tops above the finished floors at heights of not less than 90 in. (2.30m) and below the finished ceilings at heights of not less than 6 in. (152mm). Different mounting heights shall be permitted by the AHJ provided the sound pressure level requirements of NFPA 72 are met.

Table A

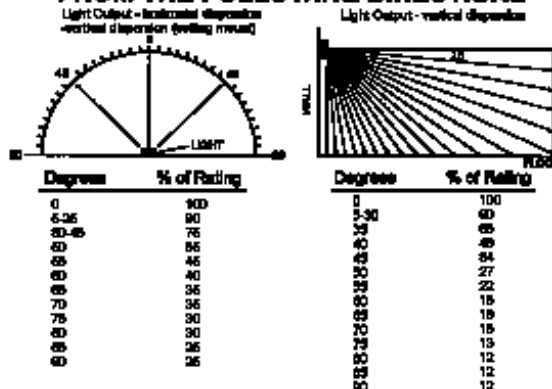
Maximum Room Size		Minimum Required Light Output (Effective Intensity, Cd)		
Meters	Feet	One Light per Room	Two Lights per Room (Located on Opposite Walls)	Four Lights per Room (One Light per Wall)
6.10 x 6.10	20 x 20	15	NA	NA
8.53 x 8.53	28 x 28	30	Unknown	Unknown
9.14 x 9.14	30 x 30	34	15	NA
12.2 x 12.2	40 x 40	60	30	15
13.7 x 13.7	45 x 45	75	Unknown	Unknown
15.2 x 15.2	50 x 50	94	6	30
16.5 x 16.5	54 x 54	110	Unknown	Unknown
18.3 x 18.3	60 x 60	135	95	30
21.3 x 21.3	70 x 70	184	95	60
24.4 x 24.4	80 x 80	240	135	60
27.4 x 27.4	90 x 90	304	185	95
30.5 x 30.5	100 x 100	375	240	95
33.5 x 33.5	110 x 110	455	240	135
36.6 x 36.6	120 x 120	540	305	135
39.6 x 39.6	130 x 130	635	375	185

NA = Not Allowable

\*\* Effective Intensity Requirements for Sleeping Areas

Visible Notification Appliance		Intensity
Distance from Ceiling to Top of Lens	greater than or equal to 24"	110cd
	less than 24"	177cd

### LIGHT OUTPUT IN PERCENTAGE WHEN MEASURED FROM THE FOLLOWING DIRECTIONS



### III. MOUNTING, ROUGH-IN BOX AND RUN WIRING

This unit is designed for mounting to most single gang boxes (Fig.1). 4" square outlet boxes, 2-gang masonry boxes or non-metallic 2-gang switch boxes with a minimum depth of 1½" may also be used with the 4" mounting plate (Fig.2). Conduit entrance to boxes should be selected to insure sufficient wiring clearance.

1. Mount a box for each remote signaling appliance.
2. Run a minimum 18 gauge insulated 2 or more conductor cable.

**NOTE:** All strobes are designed to flash as specified with continuous applied voltage. This appliance is not recommended for use on coded or pulsing signaling circuits. However, use of the AVS44 is permitted to synchronize and/or mute the strobe and horn.

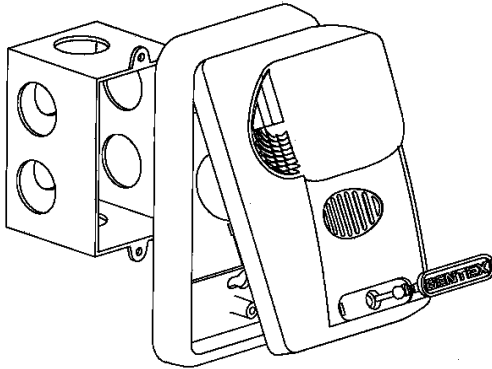


Fig. 1

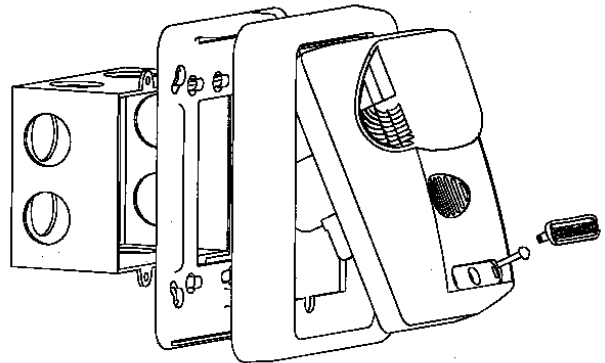


Fig. 2

### IV. WIRING

**Fig. 3:** Wiring diagram for independent synchronized strobes and horn.

Using this method you may:

1. Use only two wires to synchronize the temporal horn and strobe with the ability to mute the horn (J1 and J2 in place on the HS).
2. Mute the horn only when the temporal horn option has been selected.

Wiring diagram for synchronized parallel (unison) horn/strobe operation.

Using this method you may:

1. Use only two wires to synchronize the temporal horn and strobe **without** the ability to mute the horn (J1 and J2 in place on the HS).
2. Choose either temporal or continuous horn with the temporal horn synchronized (Fig.6).
3. Also wire the control module (AVS44) to only the strobe input power terminals, set the horn to continuous mode (Fig.6) and power it from a march time source. **NOTE:** For this option, J1 and J2 on the HS (Fig.6) must be removed to isolate power to the audible and visible portion of the circuit.

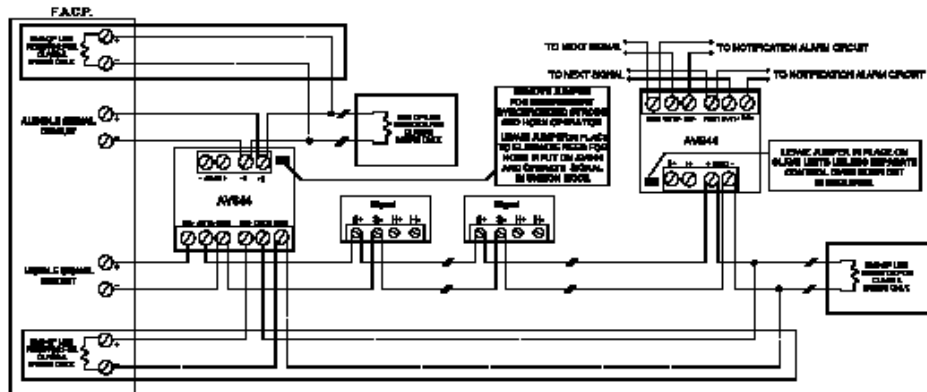


Fig. 3

**Fig. 4 and Fig. 5:** Conventional Method

You may connect both the strobe and the horn directly from a source of rated power without the use of a control module. However, the horns and strobe lights will **NOT** be synchronized. Leave jumpers J1 and J2 in place on the HS (Fig.6) to power both the audible and visible from a single pair of power wires (Fig.4). If you wish to power the horn and strobe from independent sources of power, remove J1 and J2 on the HS (Fig.6) and connect power to the appropriate terminals (Fig.5).

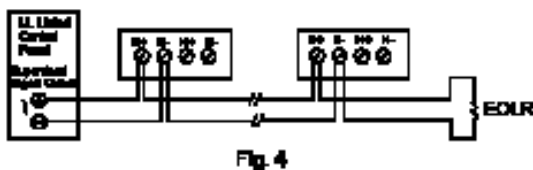


Fig. 4

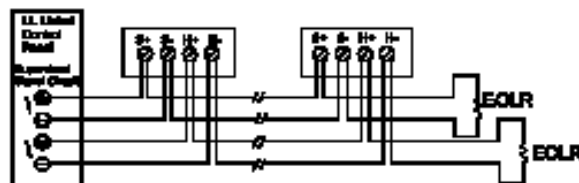


Fig. 5

**CAUTION:** When using only a single pair of terminals to power the strobe and horn (J1 and J2 in), the in/out wiring must be under the same terminal. Failure to do so may result in damage to your signal.

**NOTE: INSTALLATION IN CANADA -** All Canadian installations should be in accordance with the Canadian Standard for the Installation of Fire Alarm Systems - CAN/ULC S524-01 and the Canadian Electrical Code, Part 1.

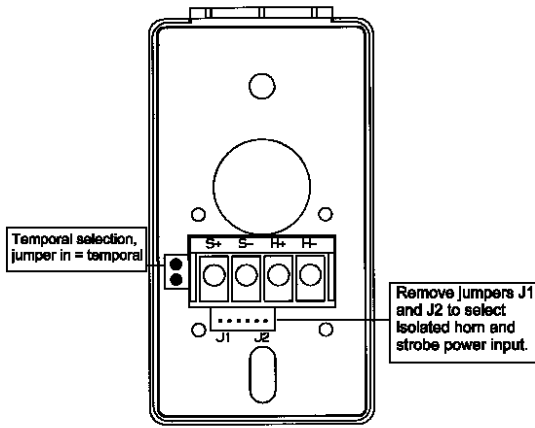


Fig. 6

MAX. WIRE DISTANCE (IN FEET) =  $\left\{ \frac{(\text{PANEL VOLTAGE} - \text{APPLIANCE MIN. VOLT}) \times \text{WIRE CONDUCTIVITY}}{\text{TOTAL CURRENT DRAW}} \right\}$

WIRE	CONDUCTIVITY
18AWG	60
16AWG	95
14AWG	153
12AWG	244

Includes wire to and from appliance. **CAUTION:** Applies only to regulated supplies. Assumes all appliances are at the end of wire run (worst case).

HORN RATINGS				
HORN VOLTAGE	dBa @ 10ft. Per UL464	dBa @ 10ft. Anechoic	DC(mA)	FWR(mA)
16VDC	76-88	90	19	-
24VDC	76-88	92	26	-
33VDC	76-88	95	34	-
16VFWR	76-88	90	-	35
24VFWR	76-88	92	-	43
33VFWR	76-88	95	-	49

STROBE CURRENT RATING							
Candela	Voltage	DC (mA)			FWR (mA)		
		Inrush	Peak	Operating	Inrush	Peak	Operating
15	16	162	118	63	174	189	79
	24	178	145	42	182	181	61
	33	178	172	34	182	189	57
30 & 15/75	16	212	140	99	240	188	119
	24	248	144	66	256	187	84
	33	256	179	52	260	192	72
60	16	310	198	134	310	286	169
	24	314	218	84	322	291	110
	33	322	274	61	330	295	86
75	16	320	216	161	312	307	209
	24	316	243	100	324	285	139
	33	336	289	75	328	267	108
110	16	396	228	193	392	292	247
	24	396	247	118	392	304	160
	33	400	286	86	408	308	123

**Note:** Units have been tested to 0° C, 49° C and 93% humidity and are rated 20-30vdc/vFWR -20%, +10%, per CAN/ULC S526-M87. The 15/75 model is rated 15cd per UL 1971 and CAN/ULC S526-M87. Units are rated 16-33vdc/vFWR absolute per UL464 and UL1971.

**V. CHECKOUT AND TROUBLESHOOTING**

- Supply power to the system control panel. The auxiliary signaling appliances in the system should not be activated.
- If the signal is activated:
  - Check all smoke and fire detectors in the system to make sure they have not been activated.
  - Check all wiring connections to make sure the signal detection circuits are not reversed or shorted together. Check wire color codes and traces.
  - Verify that the jumpers are properly set on both the control module and signal appliance. If the jumper on the AVS44 is as shown in Fig. 3, the horns will not produce any sound unless there is an input to the H+ and H- terminals on the control module.
- To test the signal appliances, trip the auxiliary panel or activate the alarm circuit at the main control panel or activate one of the fire detection units in the system. All auxiliary signals should be activated.
- An operational test on this product should be conducted in accordance with National Standards or at a minimum annually and more often if dictated by local and state codes or authorities having jurisdiction.

**NOTE: These testing procedures and troubleshooting instructions are generalized. Please refer to the system control panel operating instructions for proper operation of the panel and fire detection system.**

**SIGNALING APPLIANCE LIMITATION:**

Your strobe and horn/strobe meet or exceed the current audibility requirements of Underwriters Laboratories. However, if the appliance is located outside a bedroom it may not wake up a sound sleeper, especially if the room door is closed or only partially open.

**WARNING**

THIS APPLIANCE WILL NOT OPERATE WITHOUT ELECTRICAL POWER. AS FIRES FREQUENTLY CAUSE POWER INTERRUPTIONS, GENTEX SUGGESTS YOU DISCUSS FURTHER SAFEGUARDS WITH YOUR LOCAL FIRE PROTECTION SPECIALIST.

**VI. TO RETURN AN APPLIANCE:**

Should you experience problems with your appliance, proceed as follows:

1. Turn off electrical power to the auxiliary alarm circuit.
2. Unscrew the unit from the electrical box.
3. Disconnect the unit from the field wiring. Reconnect the two positive supply wires and the two negative supply wires of the auxiliary alarm circuit to maintain power to the other alarm appliances in the system.
4. Carefully pack the defective unit (the manufacturer cannot be responsible for consequential damage due to shipping or mis-handling). Include your return address and complete details as to the nature of the difficulties being experienced and date of installation.
5. Return to: Gentex Corporation, 10985 Chicago Dr., Zeeland MI 49464. Prior to returning, call the Gentex field service dept. @ 1-800-436-8391 for a RMA number.

**LIMITED WARRANTY**

For a period of 24 months from the date of purchase or a maximum of 30 months from the date of manufacture, Gentex warrants to you the original purchaser that your appliance will be free from defects in workmanship, materials and construction under normal use and service. If a defect in workmanship, materials and construction should cause your appliance to become inoperative within the warranty period, Gentex will repair your appliance or furnish you with a new or rebuilt appliance without charge to you except for postage required to return the appliance to us. Gentex will not reimburse you for repairs or replacement parts provided by other parties. Your repaired or replacement appliance will be returned to you free of charge and it will be covered under the warranty for the balance of the warranty period.

The warranty is void if our inspection of your appliance shows that the damage or failure was caused by abuse, misuse, abnormal usage, faulty installation, improper maintenance or repairs other than those performed by us.

**ANY WARRANTIES IMPLIED UNDER ANY STATE LAW INCLUDING IMPLIED WARRANTIES OF MERCHANTABILITY OR FITNESS FOR A PARTICULAR PURPOSE APPLY ONLY FOR THE WARRANTY PERIOD SPECIFIED ABOVE. PLEASE NOTE THAT SOME STATES DO NOT ALLOW LIMITATION ON HOW LONG AN IMPLIED WARRANTY LASTS. SO THE ABOVE LIMITATION MAY NOT APPLY TO YOU. GENTEX WILL NOT BE LIABLE FOR ANY LOSS, DAMAGE, INCIDENTAL OR CONSEQUENTIAL DAMAGES OF ANY KIND ARISING IN CONNECTION WITH THE SALE, USE OR REPAIR OF THIS APPLIANCE. THE MAXIMUM LIABILITY OF GENTEX SHALL NOT IN ANY CASE EXCEED THE PURCHASE PRICE PAID BY YOU FOR THE APPLIANCE. PLEASE NOTE THAT SOME STATES DO NOT ALLOW THE EXCLUSION OR LIMITATION OF INCIDENTAL OR CONSEQUENTIAL DAMAGES, SO THE ABOVE LIMITATION OR EXCLUSION MAY NOT APPLY TO YOU.**

If a defect in workmanship, materials or construction should cause your appliance to become inoperable within the warranty period, you must return the appliance to Gentex postage prepaid. You must prove to the satisfaction of Gentex the date of purchase of your appliance. Warranty service may only be performed by Gentex personnel at Gentex's facilities in Zeeland, Michigan. You must also pack the appliance to minimize the risk of it being damaged in transit. You must also enclose a return address. Appliances returned for warranty service should be sent to: Gentex Corporation, 10985 Chicago Dr., Zeeland MI 49464. If we receive an appliance in a damaged condition as the result of shipping, we will notify you and you must seek a claim with the shipper.

THIS WARRANTY GIVES YOU SPECIFIC LEGAL RIGHTS AND YOU MAY ALSO HAVE OTHER RIGHTS WHICH VARY FROM STATE TO STATE.

Gentex Corporation  
10985 Chicago Dr., Zeeland MI 49464  
Phone: 800-436-8391