

Commander⁴ Colored Lens Series

Applications

The Commander⁴ Colored Lens Series are ceiling mount strobe or horn/strobe combinations that offer dependable audible and visual alarms for warning and emergency notification. Applications include emergency communication, severe weather, emergency response and many more.

The GC Colored Lens Series are 24VDC appliances available in lens colors of amber, blue, green and red. The series offers tamperproof field selectable candela options of 15, 30, 75, 95 and 115 candela.

The Commander⁴ Colored Lens Series has a minimal operating current and has a minimum flash rate of 1Hz within the listed voltage range.

The Commander⁴ Colored Lens Series is shipped with a die cast 4" mounting plate which incorporates the popular Super-Slide[®] feature that allows the installer to easily test for supervision. The product also features a locking mechanism that secures the product to the bracket without showing any screws.

The GC Colored Lens Series also features the patented Checkmate[®] - Instant Voltage Verification Feature which allows the installer to check the voltage without removing the signal.

The Commander⁴ Colored Lens Series appliances are ANSI/UL 1638 and ANSI/UL 464 listed and is warranted for three years from the date of purchase.

Standard Features

- Nominal voltage 24VDC
- Tamperproof field selectable candela options of 15, 30, 75, 95 & 115
- Unit Dimensions: 6" (15.24 cm) x 2.6" (6.604 cm)
- Lens colors available: amber, blue, green and red
- Super-Slide[®] - Ease of Supervision Testing
- Checkmate[®] - Instant Voltage Verification
- Synchronize strobe and/or horn using the Gentex AVSM Control Module
- Prewire entire system, install mounting bracket, then install signals
- Input terminals accept 12 to 18 AWG
- Switch selection for high or low dBA
- Switch selection for 2400Hz or mechanical tone
- Switch selection for continuous or temporal 3 tone
- Tamperproof re-entrant style grill
- Surface mount with the GCSB (Gentex Ceiling Surface Mount Box).
- Silence audible while visual appliance will remain flashing (for use in accepted jurisdictions)
- Faceplate available in red or off-white

GCC/GCS Colored Lens SERIES



Lens available in Amber, Blue, Green and Red Colors

Product Listings

SIGNALING



LISTED



- ANSI/UL 464 & ANSI/UL 1638 Listed
- CSFM: 7135-0569:133 (GCS Colored Lens)
7135-0569:137 (GCC Colored Lens)

Patents

- 7,375,617 May 20, 2008

Product Compliance

- NFPA 72
- IBC/IFC/IRC
- Quality Management System is certified to: ISO 9001:2008



GCS Colored Lens, Selectable Candela

Model Number	Part Number	Lens Color	Nominal Voltage	Candela (ANSI/UL 1638)
GCSA24PCR	904-1383-002	Amber	24 VDC	15, 30, 75, 95, 115
GCSA24PCW	904-1384-002	Amber	24 VDC	15, 30, 75, 95, 115
GCSB24PCR	904-1385-002	Blue	24 VDC	15, 30, 75, 95, 115
GCSB24PCW	904-1386-002	Blue	24 VDC	15, 30, 75, 95, 115
GCSG24PCR	904-1387-002	Green	24 VDC	15, 30, 75, 95, 115
GCSG24PCW	904-1388-002	Green	24 VDC	15, 30, 75, 95, 115
GCSR24PCR	904-1389-002	Red	24 VDC	15, 30, 75, 95, 115
GCSR24PCW	904-1390-002	Red	24 VDC	15, 30, 75, 95, 115

GCC Colored Lens, Selectable Candela Horn/Strobe

Model Number	Part Number	Lens Color	Nominal Voltage	Candela ANSI/UL 1638	Reverberant dBA at 10ft. per ANSI/UL 464	In Anechoic Room dBA at 10ft.
GCCA24PCR	904-1375-002	Amber	24 VDC	15, 30, 75, 95, 115	81-86	90
GCCA24PCW	904-1376-002	Amber	24 VDC	15, 30, 75, 95, 115	81-86	90
GCCB24PCR	904-1377-002	Blue	24 VDC	15, 30, 75, 95, 115	81-86	90
GCCB24PCW	904-1378-002	Blue	24 VDC	15, 30, 75, 95, 115	81-86	90
GCCG24PCR	904-1379-002	Green	24 VDC	15, 30, 75, 95, 115	81-86	90
GCCG24PCW	904-1380-002	Green	24 VDC	15, 30, 75, 95, 115	81-86	90
GCCR24PCR	904-1381-002	Red	24 VDC	15, 30, 75, 95, 115	81-86	90
GCCR24PCW	904-1382-002	Red	24 VDC	15, 30, 75, 95, 115	81-86	90

Model Designations:

"P" = Plain (no lettering)

"C" = Ceiling Mount

"R" = Red Faceplate

"W" = Off-White Faceplate

Lens Colors: "A" = Amber

"B" = Blue

"G" = Green

"R" = Red

GC Amber, Blue and Green Lens Strobe Current Ratings	
Candela	UL Max ¹
15	124mA
30	124mA
75	139mA
95	205mA
115	212mA

GC Red Lens Strobe Current Ratings	
Candela	UL Max ¹
15	124mA
30	124mA
75	212mA
95	283mA
115	313mA

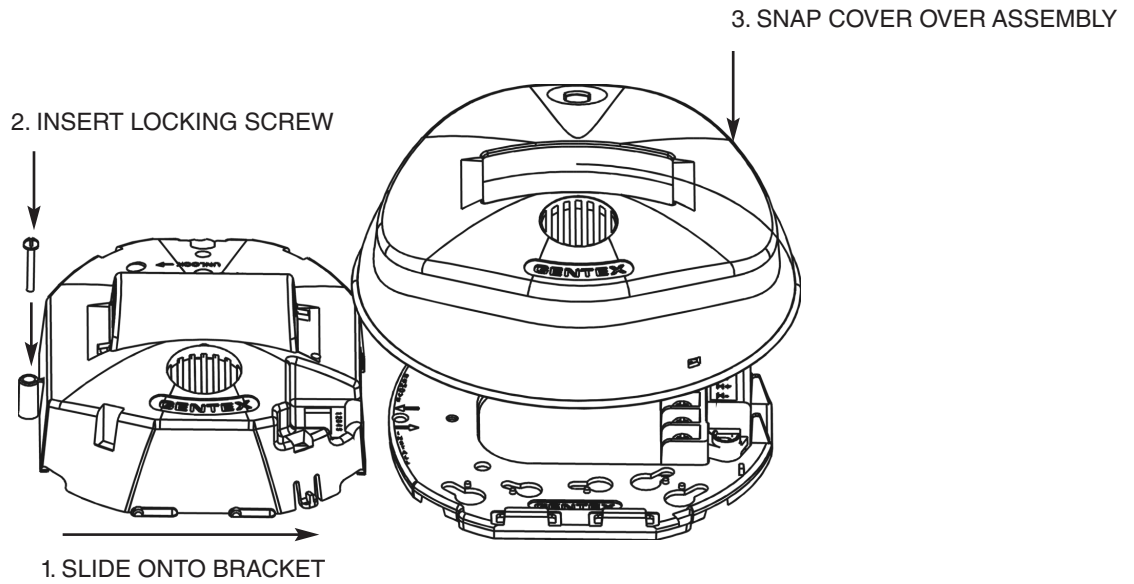
Horn Mode	Horn Decibel Levels		Horn Current Ratings
	Minimum SPL at 10 feet per ANSI/UL 464 (HIGH)	Minimum SPL at 10 feet per ANSI/UL464 (LOW)	Regulated 24VDC Max. Operating @ High Setting (mA)
Temp 3 2400Hz	83 dBA	75 dBA	23mA
Temp 3 Mechanical	81 dBA	73* dBA	22mA
Continuous 2400Hz	86 dBA	78 dBA	23mA
Continuous Mechanical	84 dBA	76 dBA	22mA

NOTES:

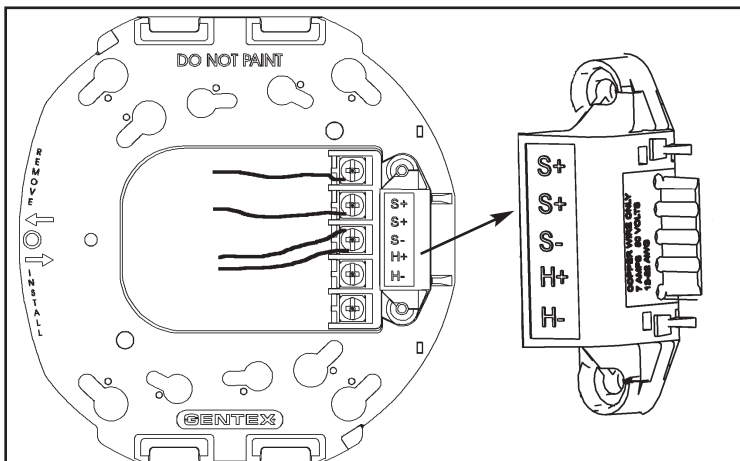
- Operating temperature: 32° to 120°F (0° to 49°C). The GC Colored Lens Series is **not** listed for outdoor use.
- For nominal and peak current across ANSI/UL regulated voltage range for filtered DC power and unfiltered (FWR [Full Wave Rectified]) power, see installation manual.
- Gentex does not recommend using a coded or pulsing signaling circuit with any of our strobe products (see Technical Bulletin Number 014).**
- The sound output for the temporal 3 tone is rated lower since the time the horn is off is averaged into the sound output rating. While the horn is producing a tone in the temporal 3 mode its sound pressure is the same as the continuous mode.
- * Operating the horn in this mode at this voltage will result in not meeting the minimum ANSI/UL 464 reverberant sound level required for public mode fire protection service. These settings are acceptable only for private mode fire alarm use. Use the high dBA setting for public mode application (not applicable when using the chime tone. The chime tone is always private mode).

¹ RMS current ratings are per ANSI/UL average RMS method. ANSI/UL max current rating is the maximum RMS current within the listed voltage range (16-33VDC for 24VDC units). For strobes the UL max current is usually at the minimum listed voltage (16VDC for 24VDC units). For audibles the max current is usually at the maximum listed voltage. For unfiltered FWR ratings, see installation manual.

Mounting



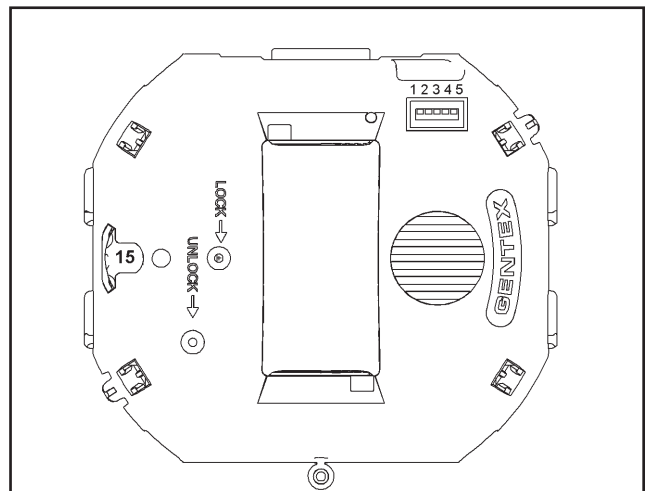
Checkmate® Instant Voltage Verification



The access holes are provided in the back of the terminal block to allow the voltage to be measured directly without removing the device. Typically this would be done at the end of the line to confirm design criteria. Most measurements will be taken using the S+ and S- locations although access is provided to other locations.

NOTICE: Care should be taken to not short the test probes.

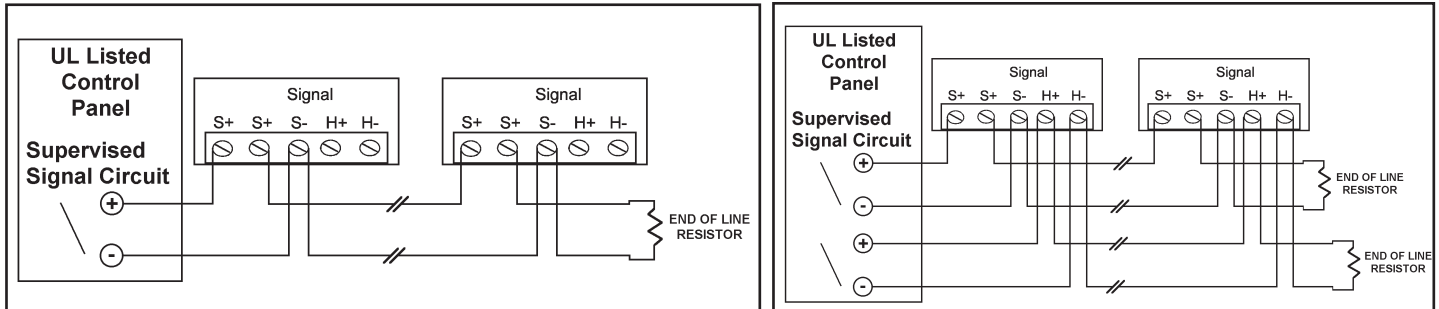
Switch Locations



Switch positions 1 and 2 in the down position to select isolated horn and strobe power inputs. Switch 3 selects between temporal or non-temporal tone. Up is temporal. Switch 4 selects between mechanical or high frequency tone. Up is mechanical. Switch 5 selects between high or low dBA. Up is high dBA.

GCC/GCS Colored Lens S E R I E S

Conventional Wiring Diagrams for GC Colored Lens Series



NOTES:

- All strobes are designed to flash as specified with continuous applied voltage. Strobes should not be used on coded or pulsing signaling circuits. However, use of the Gentex AVSM control module or Gentex synchronization protocol is permitted to synchronize the strobe, horn and/or mute the horn. See Technical Bulletin 014 for additional information.
- **FOR SYNCHRONIZATION WIRING INFORMATION, REFERENCE AVSM CONTROL MODULE DATA SHEET (551-0031) AND/OR AVSM CONTROL MODULE MANUAL (550-0284) FOR SYNCHRONIZATION MODULE WIRING DIAGRAMS. AVSM CONTROL MODULE DATA SHEET AND MANUAL CAN BE OBTAINED AT <http://www.gentex.com> OR CALL GENTEX CORPORATION AT 1-800-436-8391.**

Architect & Engineering Specifications

The visible and audible/visible signal shall be Gentex GCSA, GCSB, GCSG, GCSR or GCCA, GCCB, GCCG, GCCR colored lens series or approved equal and shall be listed by Underwriters Laboratories Inc. per ANSI/UL 464 and ANSI/UL 1638. The notification appliance shall also be listed with the California State Fire Marshal (CSFM).

The notification appliance (combination audible/visible units only) shall produce a peak sound output of 90dBA or greater as measured in an anechoic chamber. The signaling appliance shall also have the capability to silence the audible signal while leaving the visible signal energized with the use of a single pair of power wires. Additionally, the user shall be able to select either continuous or temporal tone output with the temporal signal having the ability to be synchronized.

The visible signaling appliance shall also maintain a minimum flash rate of 1Hz or up to 2Hz regardless of power input voltage. The appliance shall have an operating current of 124mA or less at 24VDC for the 15Cd in amber, blue, green or red colors.

The appliance shall be polarized to allow for electrical supervision of the system wiring. The unit shall be provided with terminals with barriers for input/output wiring and be able to mount to a single gang or double gang box or double workbox with the use of an adapter plate. The unit shall have an input voltage range of 16-33 volts with either direct current or full wave rectified power.

The appliance shall be capable of testing supervision without disconnecting wires, verify voltage without removing unit and be capable of mounting to a surface back box.

24 units per carton
29 pounds per carton

GENTEX CORPORATION

Fire Protection Products Group • www.gentex.com
10985 Chicago Drive • Zeeland, Michigan 49464
616.392.7195 • 1.800.436.8391 • 616.392.4219 Fax

Gentex Corporation reserves the right to make changes to the product data sheet at their discretion.

Important Notice:

These materials have been prepared by Gentex Corporation ("Gentex") for informational purposes only, are necessarily summary, and are not purporting to serve as legal advice and should not be used as such. Gentex makes no representations and warranties, express or implied, that these materials are complete and accurate, up-to-date, or in compliance with all relevant local, state and federal laws, regulations and rules. The materials do not address all legal considerations as there is inevitable uncertainty regarding interpretation of laws, regulations and rules and the application of such laws, regulations and rules to particular fact patterns. Each person's activities can differently affect the obligations that exist under applicable laws, regulations or rules. Therefore, these materials should be used only for informational purposes and should not be used as a substitute for seeking professional legal advice. Gentex will not be responsible for any action or failure to act in reliance upon the information contained in this material.

551-0043-04